

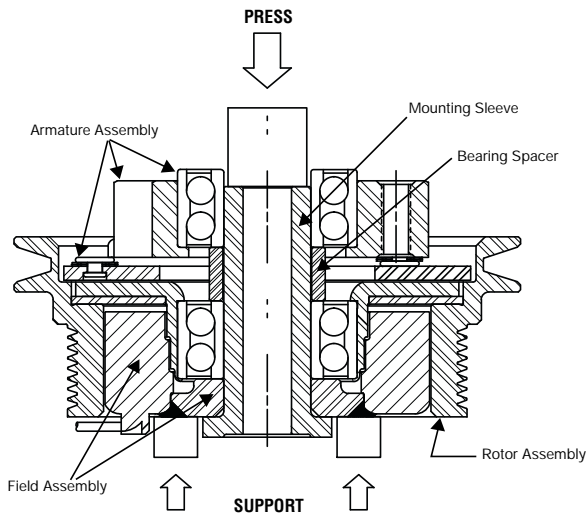
Cummins Electromagnetic Fan Clutch

Installation Instruction Sheet

P-1457
819-0471

Disassembly

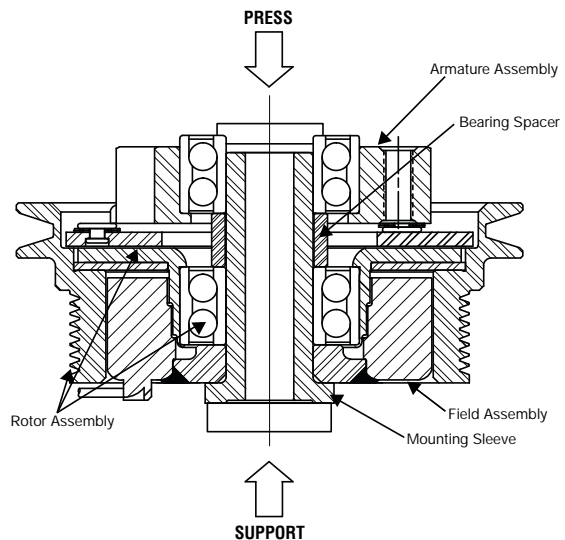
To disassemble the clutch, support the clutch on the back of the field assembly between the coil leadwires and the center mounting sleeve. Using a rod that fits inside the inner race of the bearing, press down on the mounting sleeve until the mounting sleeve has cleared the armature bearings. Remove the armature assembly and the sleeve that separates the bearings. Continue pressing the mounting sleeve through the rotor bearings and the field support.



⚠ WARNING Support the clutch only in the area shown and only press on the end of the mounting sleeve to prevent bearing damage.

Assembly

Inspect all of the bearings for smooth rotation of the inner race. Clean any remaining Loctite from O.D. of the mounting sleeve, the I.D. of the field support and the I.D. of the bearing spacer. Support the flanged end of the mounting sleeve and press the field assembly onto the mounting sleeve. Next, press the rotor assembly onto the mounting sleeve. Then place the bearing spacer onto the mounting sleeve. Finally, press the armature assembly onto the mounting sleeve and press the entire clutch assembly together. There should not be a gap between the mounting sleeve flange and the field support. Rotate both the armature and the rotor and check for free and independent rotation. If the parts do not spin freely or there is any drag between the rotor and the armature disassemble the clutch and examine all of the parts for signs of damage.



⚠ WARNING Support the clutch on the flanged end of the mounting sleeve and only press on the inner race of the bearing to prevent bearing damage. **DO NOT** press on the outer bearing races!

Warranty

Warner Electric LLC warrants that it will repair or replace (whichever it deems advisable) any product manufactured and sold by it which proves to be defective in material or workmanship within a period of one (1) year from the date of original purchase for consumer, commercial or industrial use.

This warranty extends only to the original purchaser and is not transferable or assignable without Warner Electric LLC's prior consent.

Warranty service can be obtained in the U.S.A. by returning any defective product, transportation charges prepaid, to the appropriate Warner Electric LLC factory. Additional warranty information may be obtained by writing the Customer Satisfaction Department, Warner Electric LLC, 449 Gardner Street, South Beloit, Illinois 61080, or by calling 815-389-3771.

A purchase receipt or other proof of original purchase will be required before warranty service is rendered. If found defective under the terms of this warranty, repair or replacement will be made, without charge, together with a refund for transportation costs. If found not to be defective, you will be notified and, with your consent, the item will be repaired or replaced and returned to you at your expense.

This warranty covers normal use and does not cover damage or defect which results from alteration, accident, neglect, or improper installation, operation, or maintenance.

Some states do not allow limitation on how long an implied warranty lasts, so the above limitation may not apply to you.

Warner Electric LLC's obligation under this warranty is limited to the repair or replacement of the defective product and in no event shall Warner Electric LLC be liable for consequential, indirect, or incidental damages of any kind incurred by reason of the manufacture, sale or use of any defective product. Warner Electric LLC neither assumes nor authorizes any other person to give any other warranty or to assume any other obligation or liability on its behalf.

WITH RESPECT TO CONSUMER USE OF THE PRODUCT, ANY IMPLIED WARRANTIES WHICH THE CONSUMER MAY HAVE ARE LIMITED IN DURATION TO ONE YEAR FROM THE DATE OF ORIGINAL CONSUMER PURCHASE. WITH RESPECT TO COMMERCIAL AND INDUSTRIAL USES OF THE PRODUCT, THE FOREGOING WARRANTY IS IN LIEU OF AND EXCLUDES ALL OTHER WARRANTIES, WHETHER EXPRESSED OR IMPLIED BY OPERATION OF LAW OR OTHERWISE, INCLUDING, BUT NOT LIMITED TO, ANY IMPLIED WARRANTIES OF MERCHANTABILITY OR FITNESS.

Some states do not allow the exclusion or limitation of incidental or consequential damages, so the above limitation or exclusion may not apply to you. This warranty gives you specific legal rights and you may also have other rights which vary from state to state.

Changes in Dimensions and Specifications

All dimensions and specifications shown in Warner Electric catalogs are subject to change without notice. Weights do not include weight of boxing for shipment. Certified prints will be furnished without charge on request to Warner Electric.



Warner Electric LLC
449 Gardner Street • South Beloit, IL 61080
815-389-3771 • Fax: 815-389-2582
www.warnerelectric.com